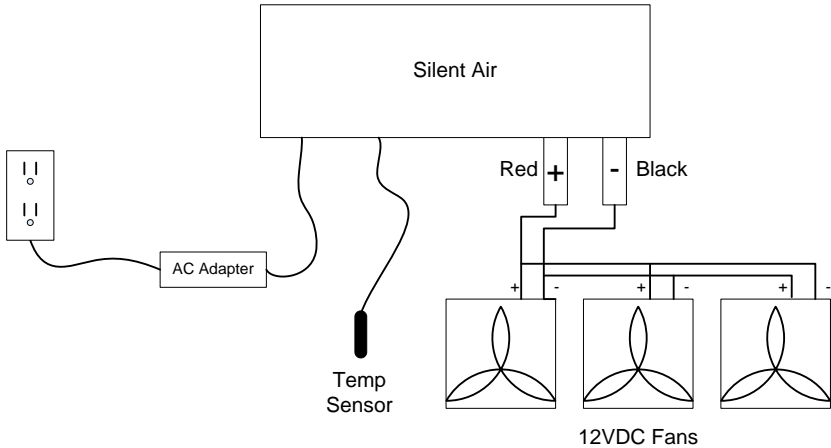


Silent Air™

Installation Instructions



1. Connect the Temperature Sensor to the *Temp Sensor* Jack. The sensor may be mounted in the canopy or submerged in the sump. When used submerged, the black bulb at the end of the cable must be completely under water.

NOTE: DO NOT mount the Temperature Sensor near Metal Halide Bulbs. The extreme heat will melt the PVC cable and will damage the sensor. Mount the sensor in the canopy ends or at least 18 inches away from the MH reflector.

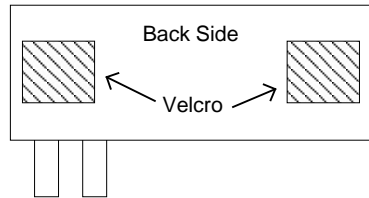
2. Connect the fans. Unscrew the two power connectors and slip the wires into the holes at the base of the connector, then tighten the connector. For a cleaner connection use banana jacks (available at most electronic parts stores like Radio Shack, etc) and plug the banana jacks into the ends of the power connectors. Make sure that the Positive (RED) connector goes to the RED wires of the fans, and the black wire connects to black. If you purchased the #SA-FN1 fan kit, use the dual banana connector (included with the fan kit) to slip the fan wires under the knurled ends and tighten securely. Plug the dual connector into the ends of the power jacks.
3. Plug the DC connector of the AC adapter into the DC IN Jack, and then plug the AC adapter into a wall outlet.

Testing

Unless the room temperature is above 76 degrees, the fans will not be running. To test operation, place the tip of the temperature sensor in a glass of hot tap water. Within 60 seconds, the fans should spin up and then reach full speed.

Mounting

Use the included Velcro squares to mount the unit to any clean dry surface. Peel the protective paper from one end of both squares and press into place on the ends of the back of the case as shown. For best results, allow 1 hour for the adhesive to set before mounting.



The Silent Air™ must be mounted in a dry location and away from any heat sources.

For sump use, do not place the unit where salt spray may occur. Do not mount the unit directly over the sump where high humidity can cause condensation inside the unit.

For lighting canopy use, do not mount the unit inside the canopy or where high heat levels are present.

Operation

The Mode Switch changes the temperature range of the fans:

Canopy Mode: Flip the switch DOWN for Canopy Mode. In this mode, the fans completely turn off at 76°F (24°C) and ramps up to full speed at 90°F (32°C). Use this mode when fans are used in lighting canopies.

Sump Mode: Flip the switch UP for Sump Mode. In this mode, the fans completely turn off at 76°F (24°C) and ramp up to full speed at 82°F (28°C). Use this mode when fans are used for sump cooling.

Tips on using 3rd Party Fans

The Silent Air™ is designed to be used with 12 Volt D.C. “Muffin” or Tube-axial brushless 12 VDC fans. These types of fans are commonly used in personal computers.

Before connecting any fans, you MUST know the power consumption of the fans. The maximum output power of the Silent Air™ is 2.5 Amperes. Exceeding this rating will cause excessive heat and damage the unit. To calculate how many fans may be used, take the power consumption of each fan and divide it into 2.5. For example, if the fan’s power consumption is rated at 400 mA (0.40 Amps) divide into 2.5 ($2.5 \div .40 = 6.25$). Therefore, up to 6 fans of this type can be safely connected.

<p>NOTE: Use only fans rated for 12 Volts DC. Connecting fans of lower voltage can cause a hazardous condition as the fan motor will get very hot and may cause a fire. Using fans of higher voltage will result in erratic operation.</p>
--

There are many low cost fans on the market that should be avoided. They are not designed for variable speed operation and have poor bearings. These fans will produce excess noise and vibration when run at variable speeds.

Never power a fan in reverse. The fan will appear to function, but will fail prematurely. Most fans have two arrows imprinted on the housing that show proper air flow and rotational direction. If you need to reverse the flow, flip the fan around in your mounting location.

Warranty

The Silent Air™ is warranted to be free of defects in material and workmanship for a period of one year from the date of original purchase.

For warranty repair, send email to support@mcuresearch.com to receive a return authorization. We will provide you with a return number. When returning the unit, you must include the Return Authorization Number, proof of purchase, and a written explanation of the trouble. During the warranty period, we will, at our option, either repair or replace the product free of charge.

This warranty does not cover damage due to improper installation or use, negligence, damage caused by water, fire, lightning, or other acts of nature, and unauthorized product modification or repair, or failure to follow instructions supplied with the product (including exceeding the power rating of the DC Output), or to incidental or consequential damages beyond the Lighthouse Controller product itself. Implied warranties are limited in duration to the life of this limited warranty.

Some states do not allow limitations on how long an implied warranty lasts, or the exclusion or limitation of incidental or consequential damages, so the above limitations may not apply to you. This warranty gives you specific legal rights. You may have other rights, which vary from state to state.

Web Support: www.mcuresearch.com/support

Email Support: support@mcuresearch.com

Phone Support: (828) 298-6561, Mon-Fri 9AM – 4 PM, Eastern time.

Mailing Address for repairs:

MCU Research, LLC
276 Jones Cove Blvd.
Asheville, NC 28805-8700

Manufactured By:
MCU Research, LLC
276 Jones Cove Blvd.
Asheville, North Carolina 28805
www.mcuresearch.com